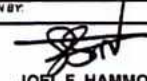

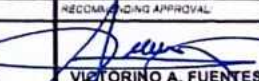
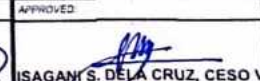

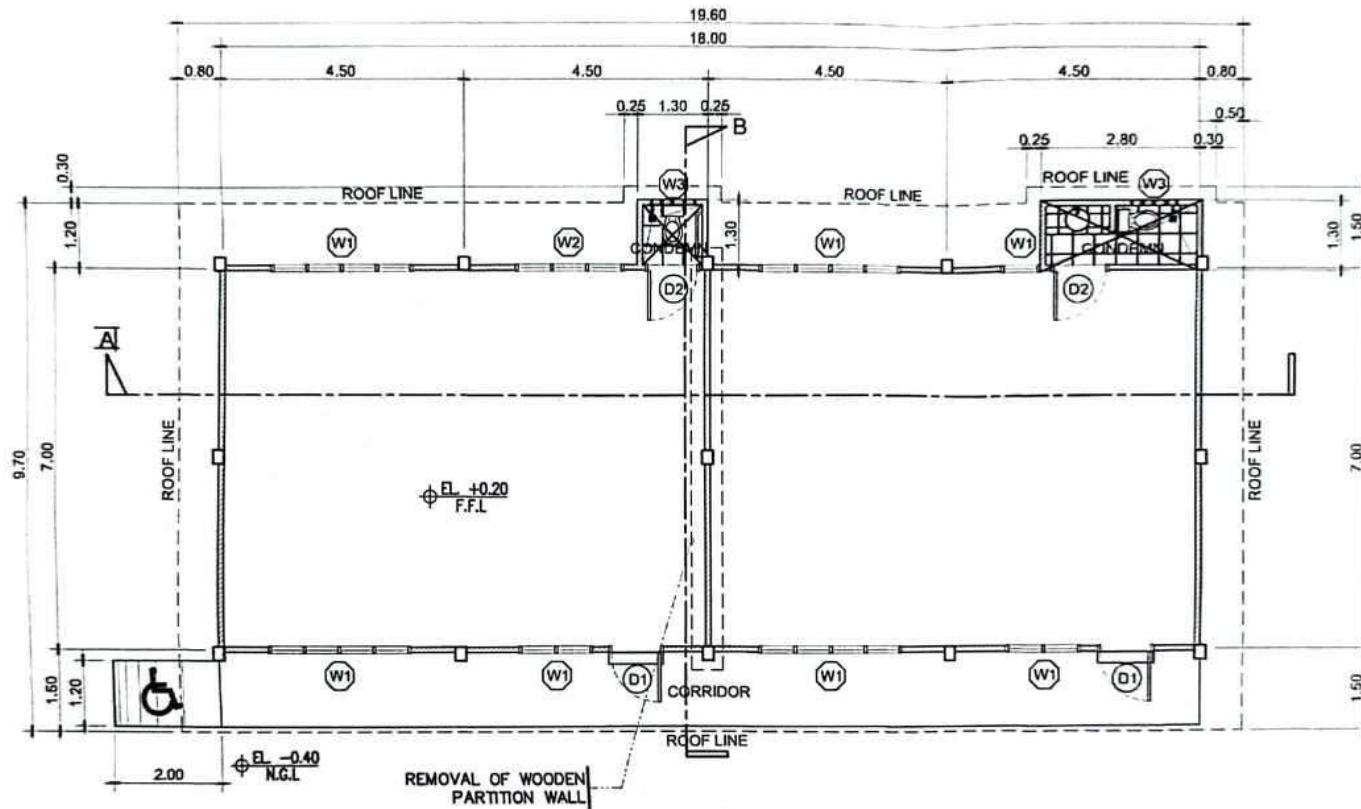


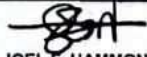
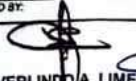





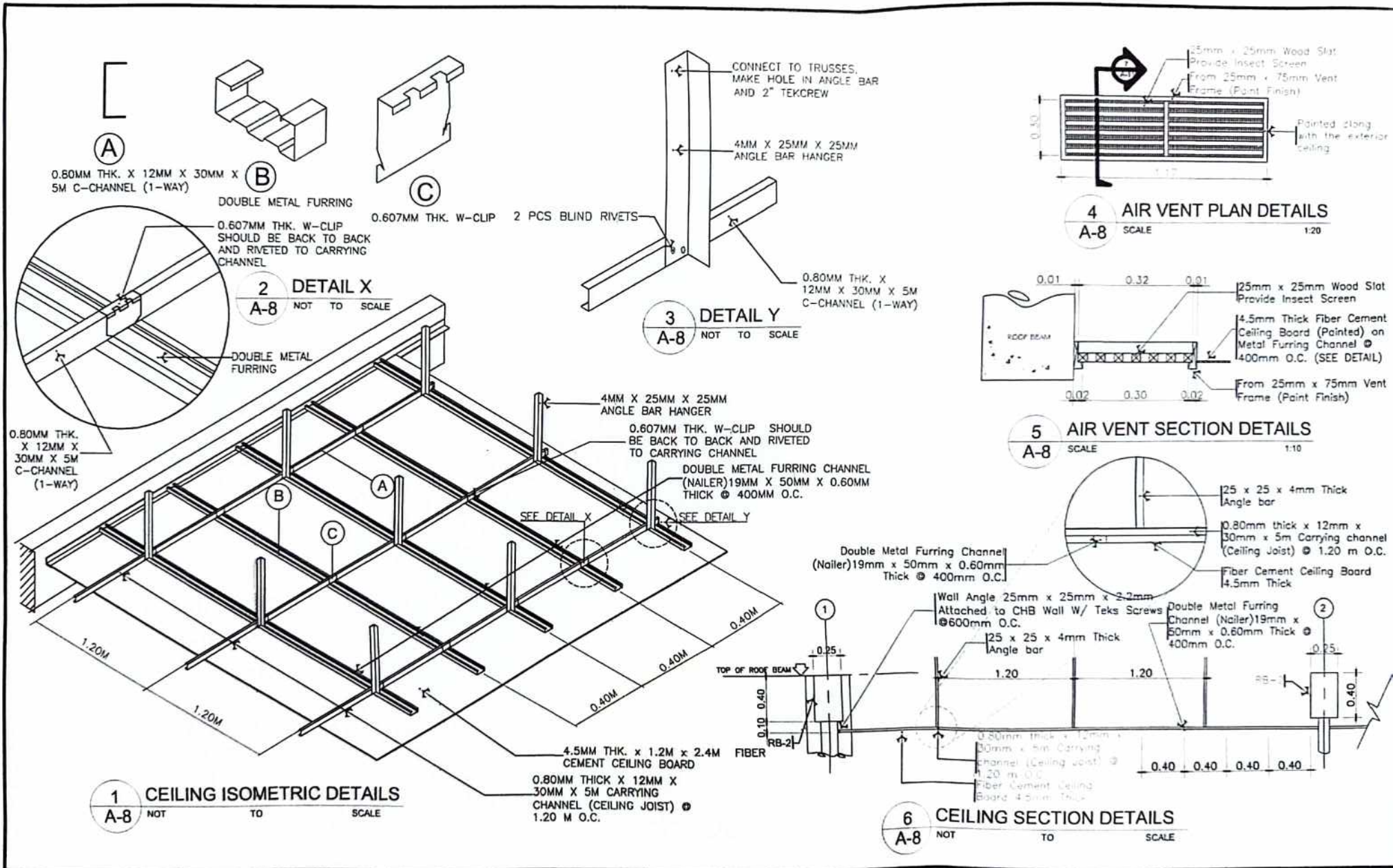
P E R S P E C T I V E

DEPARTMENT OF EDUCATION <small>GENERAL SANTOS CITY</small>	<small>PROJECT NAME & LOCATION</small> REPAIR AND RENOVATION OF ONE(1) STOREY TWO(2) CLASSROOM AT DEPED DIVISION OF OFFICE SAIBY SECTION	<small>SHEET CONTENT:</small>	<small>DRAWN BY:</small>  JOEL F. HAMMON <small>DRAFTSMAN</small>	<small>CHECKED BY:</small>  EVERLINDA A. LIMEN <small>DEPED ENGINEER III</small>	<small>RECOMMENDING APPROVAL:</small>  VICTORINO A. FUENTES, JR. <small>SCHOOL CHIEF</small>	<small>APPROVED:</small>  ISAGANI S. DELA CRUZ, CESOV <small>SCHOOL DIVISION SUPERINTENDENT</small>	<small>SHEET NO.</small> 
	<small>BRDY LASAG GENERAL SANTOS CITY</small>						

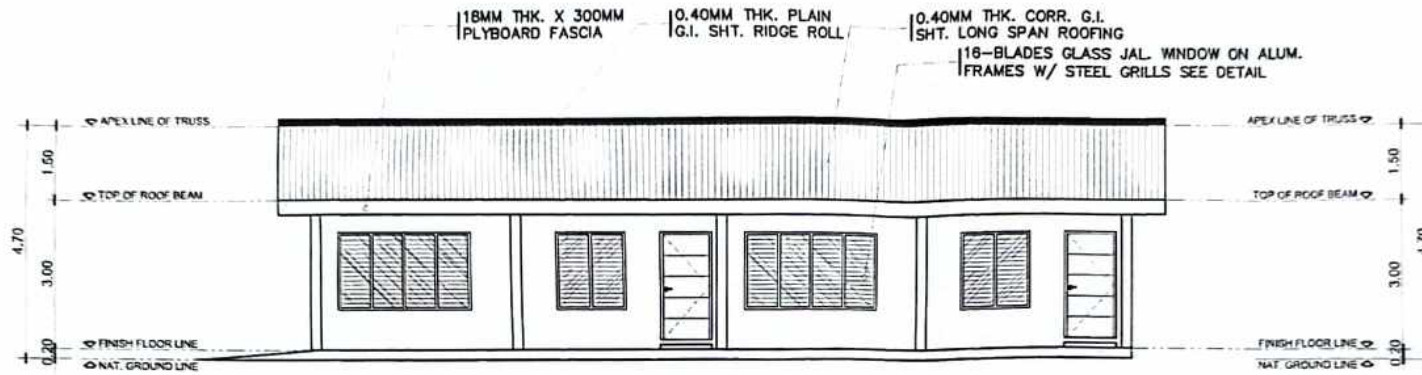


FLOOR PLAN
SCALE: 1:100m.

DEPARTMENT OF EDUCATION GENERAL SANTOS CITY	PROJECT NAME & LOCATION: REPAIR AND RENOVATION OF ONE(1) STOREY TWO(2) CLASSROOM AT DEPED DIVISION OF OFFICE SECTION	SHEET CONTENT:	DRAWN BY:  JOEL F. HAMMON DRAFTSMAN	CHECKED BY:  EVERLINDA A. LIMEN DEPED DRAFTER III	RECOMMENDING APPROVAL:  VICTORINO A. FUENTES, JR. SQUAD-CHIEF	APPROVED:  ISAGANI S. DELACRUZ, CESO V SCHOOL DIVISION SUPERINTENDENT	SHEET NO: 
	FIRST LAYOUT, GENERAL SANTOS CITY						

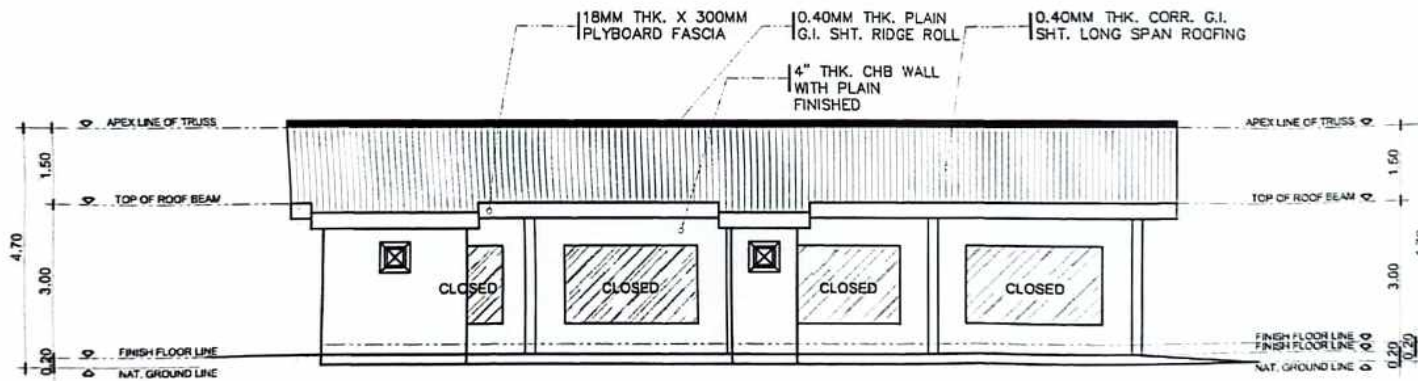


DEPARTMENT OF EDUCATION GENERAL SANTOS CITY	PROJECT NAME & LOCATION: REPAIR AND RENOVATION OF ONE(1) STOREY TWO(2) CLASSROOM AT DEPED DIVISION OF OFFICE	SHEET CONTENT: CEILING SECTION	DRAWN BY: JOEL F. HAMMON DRAFTSMAN	CHECKED BY: EVERLINDO A. LIMEN DEPED ENGINEER III	RECOMMENDING APPROVAL: VICTORINO A. FUENTES, JR. SGO, CHIEF	APPROVED: ISAGANI S. DELA CRUZ, CESO V SGO, DIVISION SUPERINTENDENT	SHEET NO.
	BRUF LAGAR, GENERAL SANTOS CITY						



FRONT ELEVATION

SCALE: 1:100m.



FRONT ELEVATION

SCALE: 1:100m.

DEPARTMENT OF EDUCATION
GENERAL SANTOS CITY

PROJECT NAME & LOCATION
**REPAIR AND RENOVATION OF ONE(1)
STOREY TWO(2) CLASSROOM AT DEPED
DIVISION OF OFFICE SUPPLY SECTION**

BRGY. LAGAN, GENERAL SANTOS CITY

SHEET CONTENT:

DRAWN BY:

JOEL F. HAMMON

DRAFTSMAN

CHECKED BY:

EVERLINDO A. LIMEN

DEPED ENGINEER II

RECOMMENDING APPROVAL

VICTORINO A. FUENTES, JR.

SUPV.-CHIEF

APPROVED

ISAGANI S. DEKA CRUZ, CESO V

SCHOOL DIVISION SUPERINTENDENT

SHEET NO

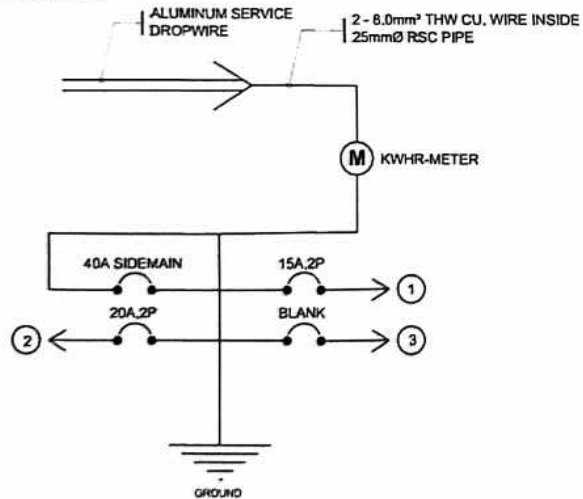


LEGEND:

- ⇒ - SERVICE ENTRANCE
- Ⓜ - KILOWATT HOUR METER
- ▭ - PANEL BOARD
- ▭ - 28W LED LIGHT T5 ANODIZED REFLECTOR w/ LOUVER, RECESSED TYPE, ASSEMBLY
- - 12W PIN LIGHT, RECESSED TYPE, ASSEMBLY
- ⊕ - CONVENIENCE OUTLET
- c - CIRCUIT RUN
- - POWER RUN WIRE
- - - - SWITCH RUN WIRE
- S1 - SINGLE GANG SWITCH
- S2 - DOUBLE GANG SWITCH
- S3 - TRIPPLE GANG SWITCH

NOTES and SPECIFICATION:

- ALL ELECTRICAL INSTALLATIONS SHALL BE IN ACCORDANCE WITH THE LATEST EDITION OF THE PHILIPPINE ELECTRICAL CODE, RULES and REGULATIONS OF THE LOCAL ENFORCING AUTHORITY and THE LOCAL LIGHT and POWER COMPANY
- ALL MATERIALS TO BE USE SHALL BE NEW AND OF THE APPROVED TYPE.
- THE SMALLEST WIRE TO BE USED SHALL BE 2.0MM THW CU. WIRE IN 15MM DIA. UPVC PIPE.
- ALL WORKS SHALL BE DIRECTLY SUPERVISED BY A LICENSE ELECTRICAL ENGINEER OR OR MASTER ELECTRICIAN.



SINGLE LINE DIAGRAM

SCHEDULE OF LOADS (TYPICAL)

CKT NO.	LOAD DESCRIPTION	WATTS	VOLTS	AMPERES	PROTECTION	SIZE OF WIRE / UPVC
1	12-28W LED LIGHT T5	336	220	1.53	15A, 2P	2-2.0mm THW CU. WIRE IN 15mmØ UPVC
	08-12W PIN LIGHT	96	220	0.44		
2	CONVENIENCE OUTLET	1080	220	4.91	20A, 2P	2-3.5mm THW CU. WIRE IN 15mmØ UPVC
3	BLANK					
TOTAL		1512				

COMPUTATIONS:

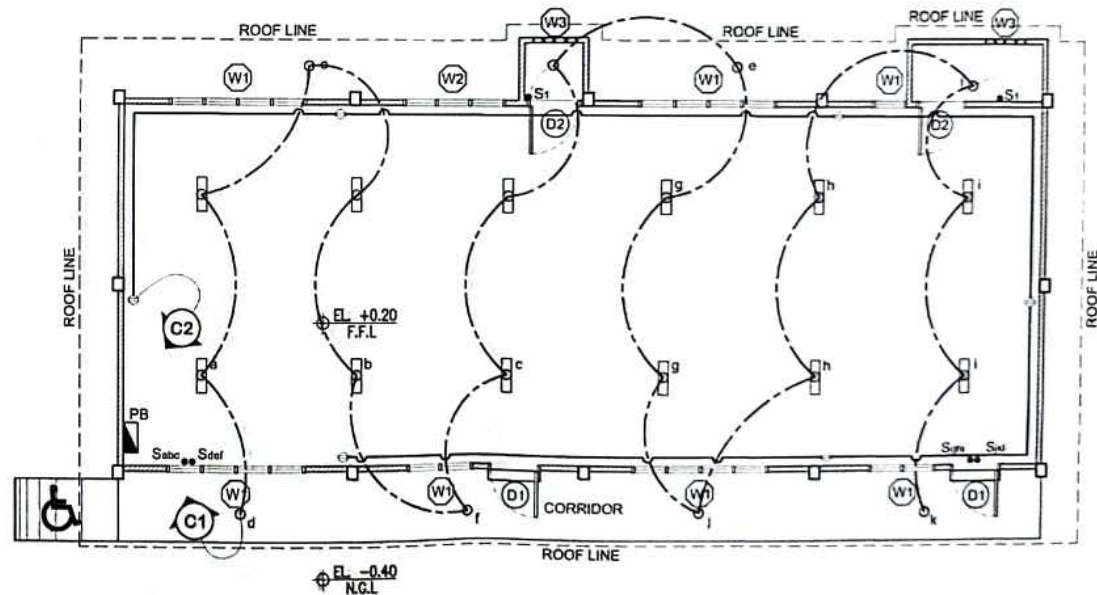
IT = 1512/220
IT = 6.87 AMP.

FOR SERVICE CONDUCTOR:

IT = 6.87 x 1.25 x D.F.
IT = 8.59 AMP.

USE : 2-8.0MM THW CU. WIRE IN 25MMØ RSC

USE : 40 AMPERES-SINGLE PHASE, 2P, 60HZ, 220VAC SIDEMAIN IN 4 BRANCHES IN 3R ENCLOSURE



FLOOR PLAN

SCALE: 1:100m.

DEPARTMENT OF EDUCATION
GENERAL SANTOS CITY

PROJECT NAME & LOCATION
REPAIR AND RENOVATION OF ONE(1) STOREY TWO(2) CLASSROOM AT DEPED DIVISION OF OFFICE SOUTH DIVISION SECTION

DRYF. LADAO, GENERAL SANTOS CITY

SHEET CONTENT:

DRAWN BY:

JOEL F. HAMMON

DRAFTSMAN

CHECKED BY:

EVERLIND A. LIMEN

DEPED ENGINEER III

RECOMMENDING APPROVAL:

VICTORINO A. FUENTES, JR.

SCCHOOL CHIEF

APPROVED:

ISAGANI S. DELA CRUZ, CESO V

SCHOOL'S DIVISION SUPERINTENDENT

SHEET NO.

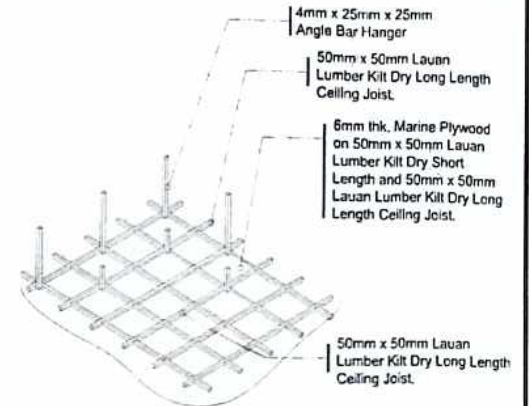


NOTE:

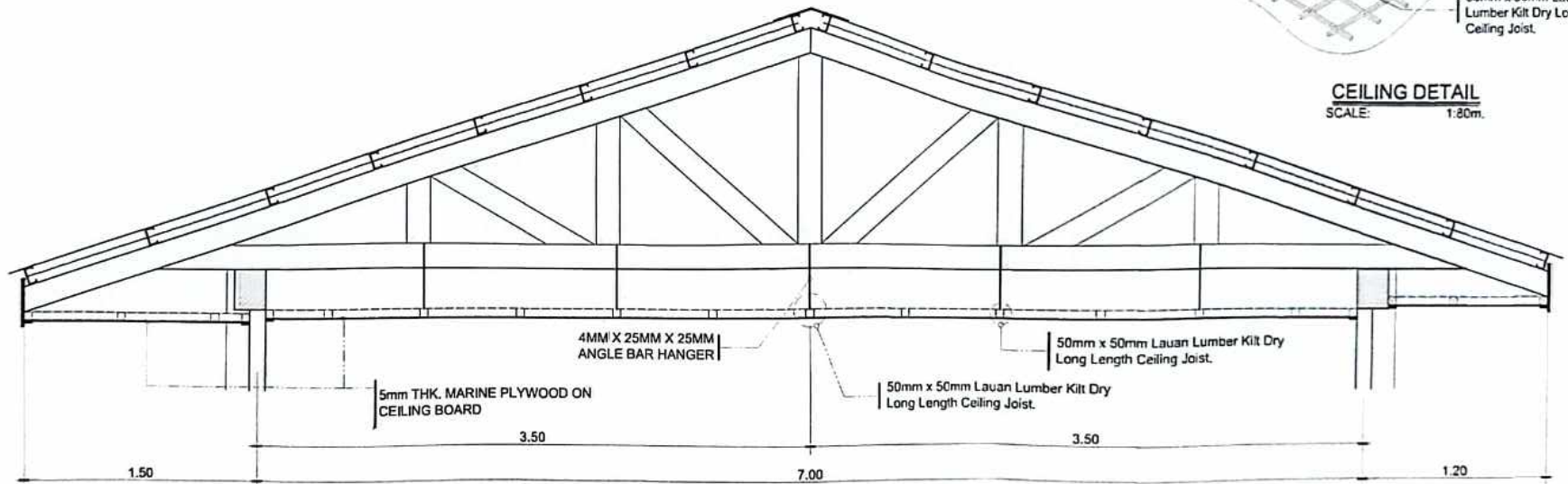
- CEILING BOARD APPLY WOOD PRESERVATIVE THEN APPLY 2-COATINGS FLATWALL ENAMEL AND SEMI-GLOSS ENAMEL FOR 3RD-COATINGS.
- JAMBS AND DOORS APPLY WOOD PRESERVATIVE THEN APPLY 2-COATINGS QUICKDRY ENAMEL AND SEMI-GLOSS ENAMEL FOR 3RD-COATINGS.

LEGEND:

I.C.L : INTERIOR CEILING LINE
 E.C.L : EXTERIOR CEILING LINE

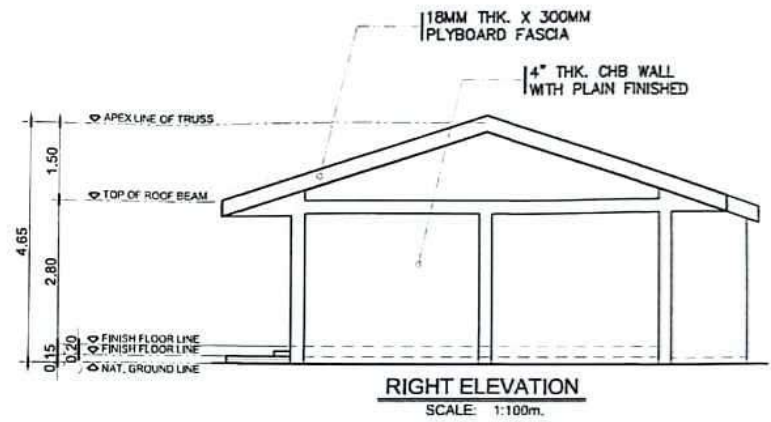
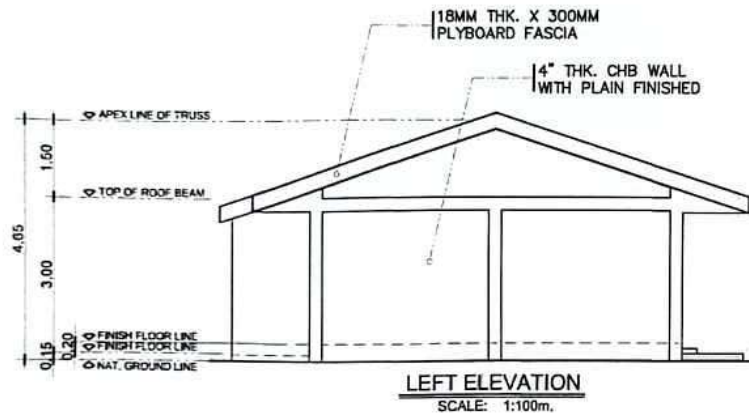


CEILING DETAIL
 SCALE: 1:80m.



SECTION
 SCALE: 1:30m.

DEPARTMENT OF EDUCATION <small>GENERAL SANTOS CITY</small>	PROJECT NAME & LOCATION REPAIR AND RENOVATION OF ONE(1) STOREY TWO(2) CLASSROOM AT DEPED DIVISION OF OFFICE <i>CUPY</i> SECTION <small>BRGY. LAGAO, GENERAL SANTOS CITY</small>	SHEET CONTENT: 	DRAWN BY: JOEL F. HAMMON <small>DRAFTSMAN</small>	CHECKED BY: EVERLINDA A. LIMEN <small>DEPED ENGINEER III</small>	RECOMMENDING APPROVAL: VICTORINO A. FUENTES, JR. <small>SGOOD CHIEF</small>	APPROVED: SAGANI S. DELA CRUZ, CESO V <small>SCHOOL DIVISION SUPERINTENDENT</small>	SHEET NO.



DEPARTMENT OF EDUCATION GENERAL SANTOS CITY	PROJECT NAME & LOCATION REPAIR AND RENOVATION OF ONE(1) STOREY TWO(2) CLASSROOM AT DEPED DIVISION OF OFFICE <i>Campy</i> SECTION <small>BRGY. LABANG, GENERAL SANTOS CITY</small>	SHEET CONTENT:	DRAWN BY: JOEL F. HAMMON <small>DRAFTSMAN</small>	CHECKED BY: EVERLINDO A. LIMEN <small>DEP'D ENGINEER III</small>	RECOMMENDING APPROVAL: VICTORINO A. FUENTES, JR. <small>SUPD-CHIEF</small>	APPROVED: ISAGANI S. DELA CRUZ, CESOV <small>SCHOOL DIVISION SUPERINTENDENT</small>	SHEET NO.